

2007-0132 A

DOUGLAS COUNTY OFFICIAL RECORDS
 BARBARA E. NIELSEN, COUNTY CLERK 2007-022323
 NO FEE
 00199610200700223230020022
 10/12/2007 01:30:32 PM
 PLAT-PAR Cnt=1 Stn=1 RECEIPTCOUNTER
 This is a no fee document

(N89°48'E 965') R5
 N89°57'59"E 966.95'

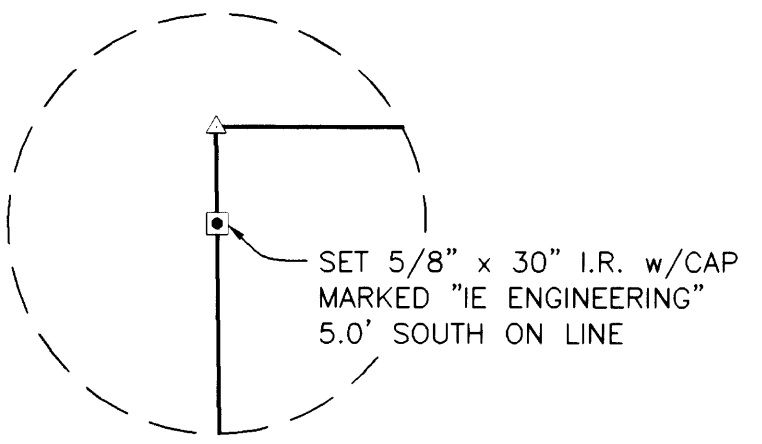
PARCEL 3
 20.74 AC±

PARCEL 1
 2.01 AC±

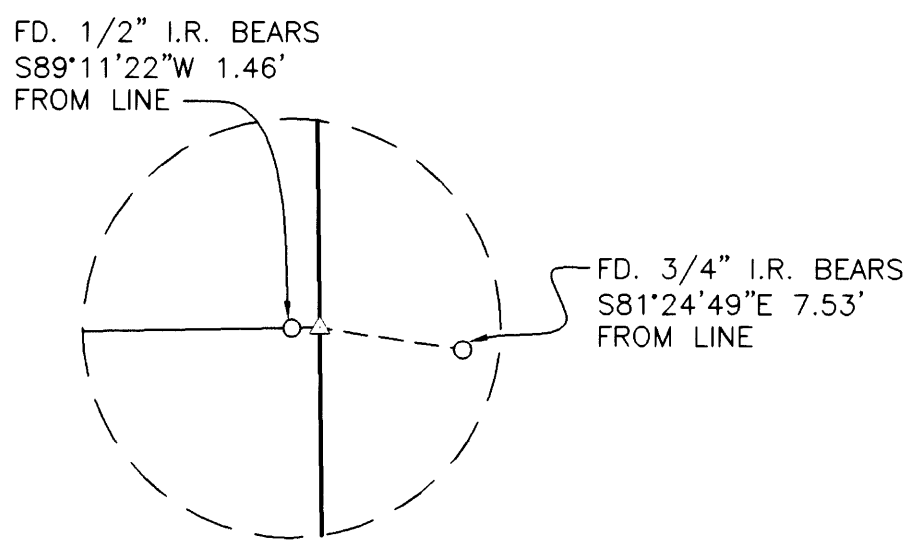
PARCEL 2
 2.16 AC±

LEGEND:

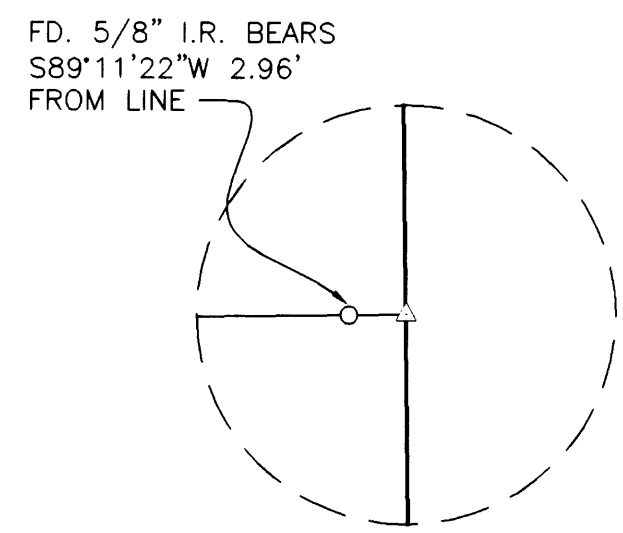
- SET 5/8" x 30" IRON ROD w/CAP MARKED "I.E. ENGINEERING" UNLESS OTHERWISE NOTED
- FOUND 5/8" IRON ROD UNLESS OTHERWISE NOTED
- FOUND AXLE
- FOUND IRON PIPE AS NOTED
- ◆ FOUND BRASS CAP AS NOTED
- △ CALCULATED POSITION
- () R1 RECORD AS PER M145-29
- () R2 RECORD AS PER PP 2006-0094
- () R3 RECORD AS PER M29-44
- () R4 RECORD AS PER VOL. 775, PG. 761
- () R5 RECORD AS PER INST. #2006-11419
- () R6 RECORD AS PER M62-28
- () R7 RECORD AS PER INST. #1991-7589



DETAIL "A"
 SCALE: 1" = 10'



DETAIL "B"
 SCALE: 1" = 10'



DETAIL "C"
 SCALE: 1" = 10'

LINE TABLE		
LINE	BEARING	LENGTH
L1	S76°25'58"E	118.53'
L2	S65°26'02"E	84.32'
L3	S83°33'21"E	273.78'
L4	S83°33'21"E	221.27'
L5	S65°26'02"E	79.98'
L6	S76°25'58"E	118.53'

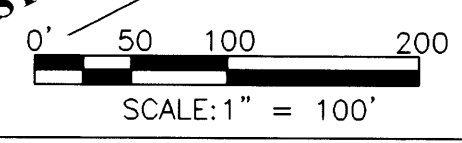
REGISTERED PROFESSIONAL LAND SURVEYOR
Ronald A. Quimby
 OREGON
 JULY 14, 1978
 RONALD A. QUIMBY
 1654
 EXPIRES: 12/31/2008

LAND PARTITION
 LYING IN THE SW 1/4 OF SEC. 29 & THE NW 1/4 OF SEC. 32, TOWNSHIP 28 SOUTH, RANGE 7 WEST, W.M., DOUGLAS COUNTY, OR.

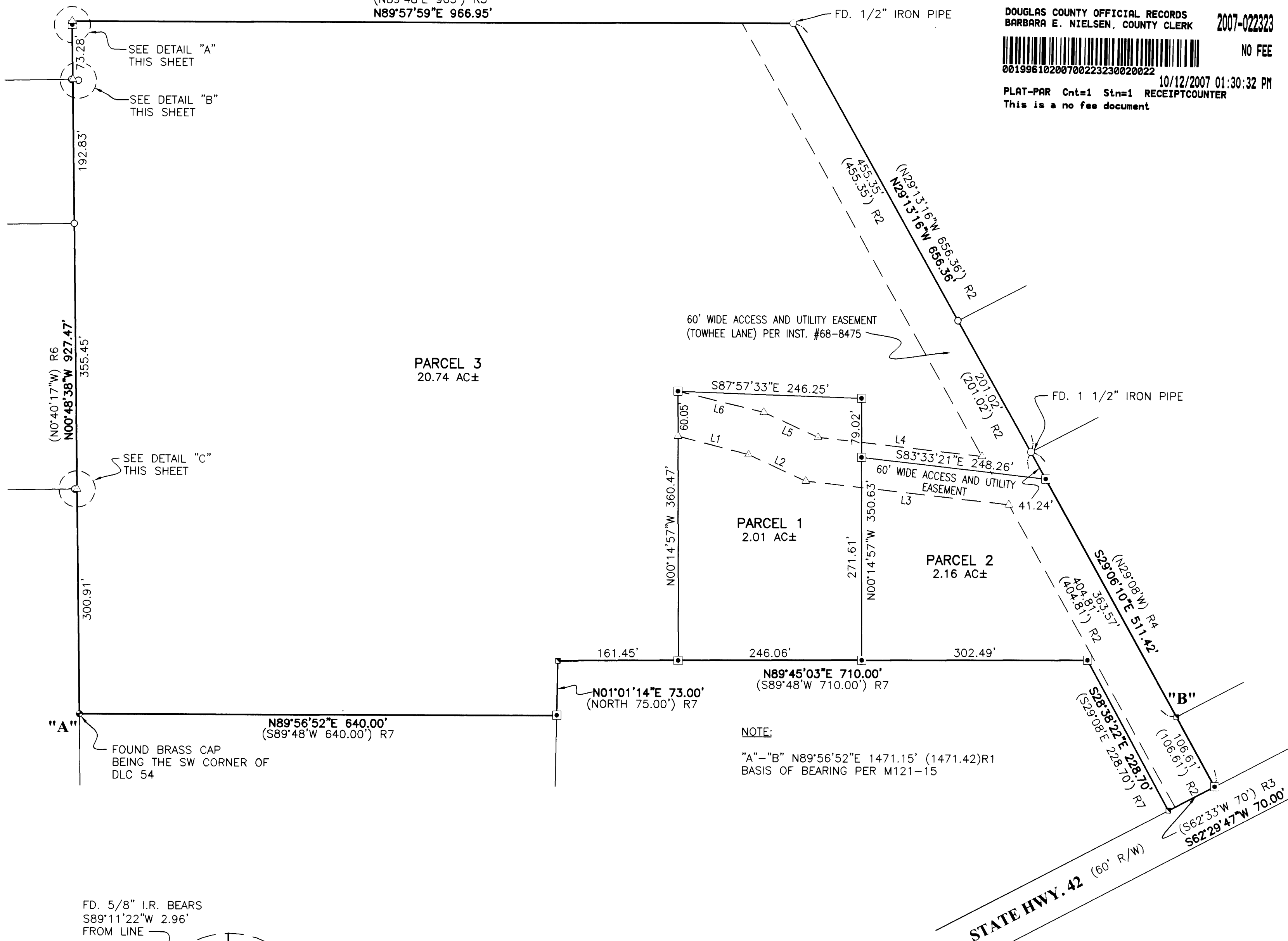
SURVEYED FOR:
 KEN DEBELL
 P.O. BOX 2207
 ROSEBURG, OR. 97470

SURVEYED BY:
i.e.
 ENGINEERING
 505 SE Main Street
 Roseburg, Oregon 97470
 PHONE (541) 673-0166
 FAX (541) 440-9392
 iemail@ieengineering.com

SCALE: AS SHOWN JOB NO: 990-12 DATE: JUNE, 2007 DWG. BY: DAF PM: DAF PAGE: 1 OF 2



NOTE:
 "A"-"B" N89°56'52"E 1471.15' (1471.42)R1
 BASIS OF BEARING PER M121-15



2007-0132 A